

Combined expertise
with three powerful partners.



TEC artec GmbH has a wealth of engineering expertise in the design and manufacture of industrial valves. These are used in areas such as temperature control in power, industrial and processing plants.



Meeraner Dampfkesselbau GmbH has many years of experience in the production of components for power station and industrial plant construction, serving a wide range of customers. These include all well-known national and international energy suppliers and operators of waste heat recovery plants, waste incineration plants and other environmental heat recovery facilities.



Hitachi Power Europe Service GmbH is one of the leading international suppliers of specialist services for power stations and industrial plants. It offers a very wide range of products related to boiler technology, combustion systems, grinding plants and components, grate firing, installation and flue gas purification.

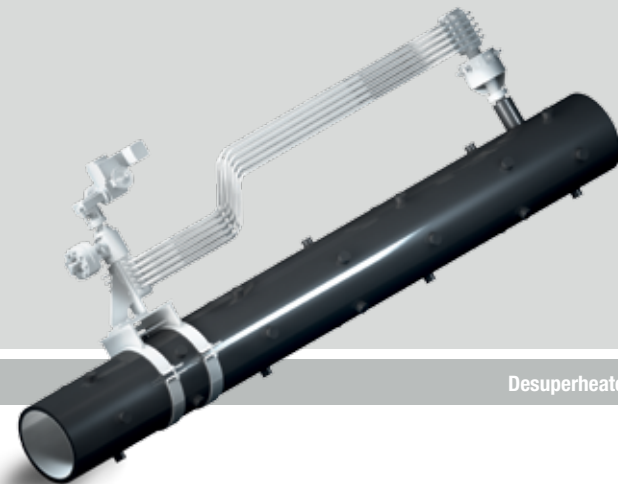
Kontakt

TEC artec GmbH
T. +49 (0) 3301 20 32-60
www.tec-artec.com

Meeraner Dampfkesselbau GmbH
T. +49 (0) 3764 53-0
www.mdkb.de

Hitachi Power Europe Service GmbH
T. +49 (0) 2065 4221 773
www.hitachi-power-service.com

Combined expertise
in one system.



HITACHI
Inspire the Next

Desuperheater

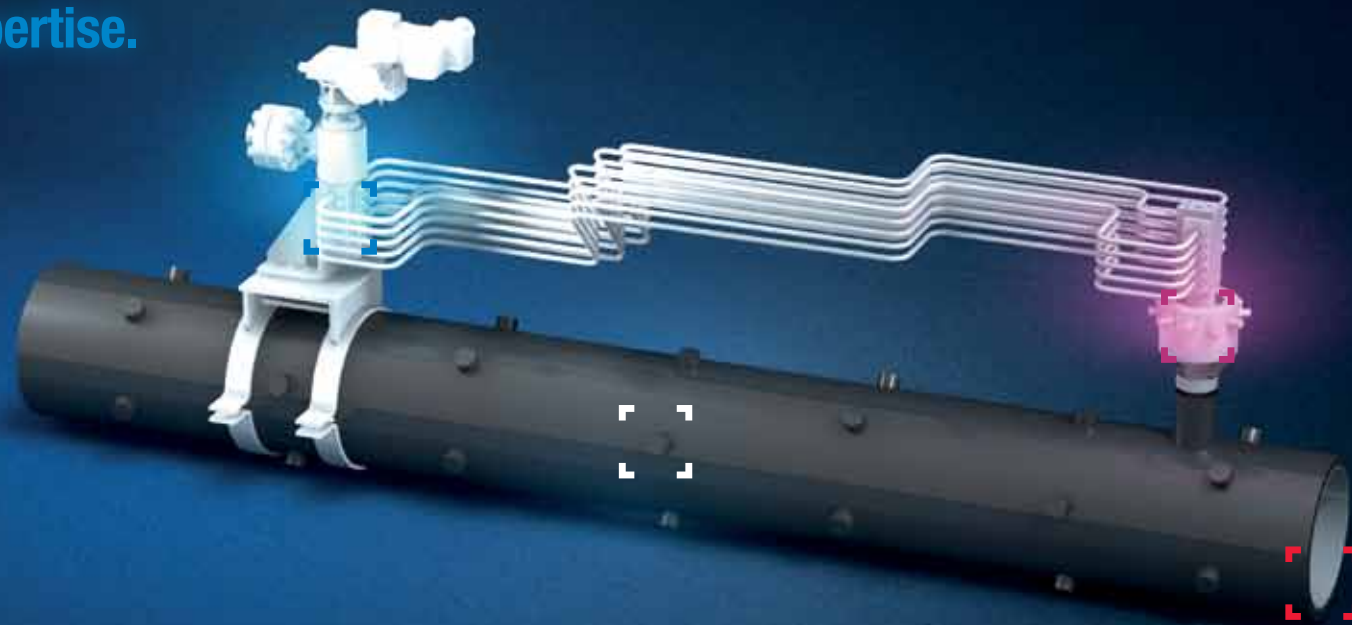
Powered by three-fold expertise.

Our companies always strive to deliver high-quality products and services punctually and reliably, and offer our customers the excellent service they expect.

To fully utilize our synergies, we have joined forces to offer you even better service in the fields of boiler and process temperature control.

ADVANTAGES FOR THE CUSTOMER:

- ☒ just one contact person
- ☒ one complete innovative solution
- ☒ three-fold expertise with years of experience



TEC artec GmbH supplies the desuperheater together with the control unit and the complete process technology.



Meeraner Dampfkesselbau GmbH manufactures the main pipe with fitted thermal sleeve, welded mounting system, injection nozzle holders and control lines.



Hitachi Power Europe Service in Duisburg is responsible for the basic piping design, the piping engineering, strength testing, installation planning, on-site installation and insulation.